

WOOFER GDN 30/60/1

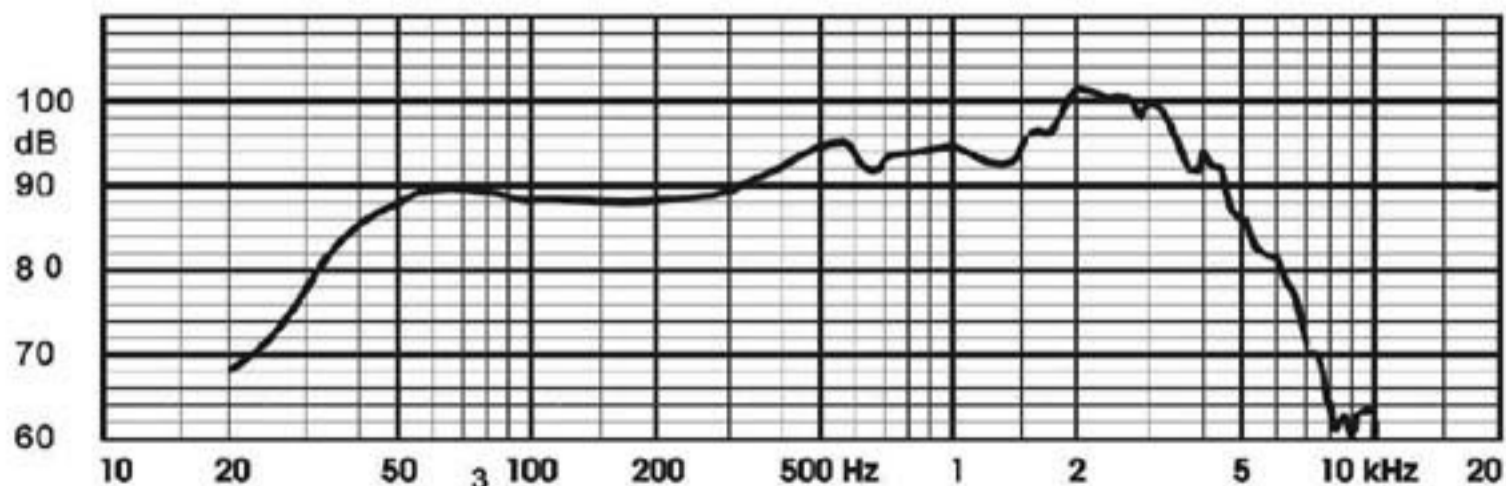
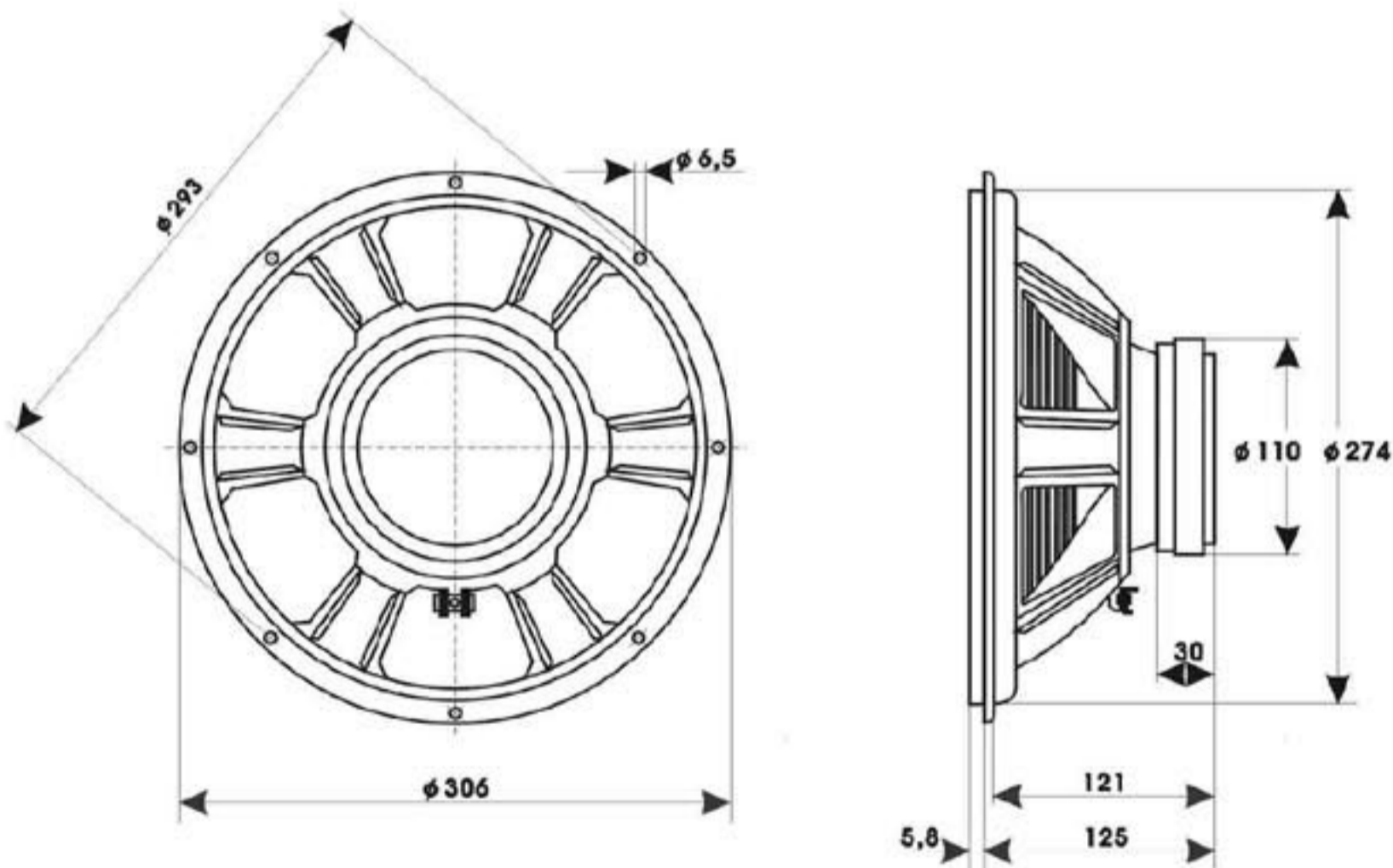
9 5151 004

TECHNICAL DATA

Rated impedance	6	Ω
Voice coil resistance	5	Ω
Rated frequency range	60 to 4500	Hz
Resonance frequency	25	Hz
Power handling capacity / enclosure 70 dm ³ , 1 min. on/2 min.off, 300 h /	60	W
Max. power	80	W
Sensitivity	93	dB
Flux density	1	T
Energy in air gap	328,9	mJ
Force factor - BI	6,7	Tm
Piston area - SD	0,048	m ²
Total moving mass - MMS	0,04	kg
Compliance /loudspeaker unmounted/ - CMS	101,6 x 10 ⁻⁵	m/N
Equivalent box volume - VAS	0,327	m ³
Quality factor /loudspeaker unmounted/		
- mechanical - Q _{MS}	2,61	
- electrical - Q _{ES}	0,745	
- total - Q _{TS}	0,579	
Air - gap	35/6/1,2	mm
Voice coil height	12,1	mm
Magnet		
- material	ferrite	
- dimensions	110/60/18	mm
- mass	0,6	kg
Mass of loudspeaker	2,2	kg

AVAILABLE VERSIONS

- GDN 30/60/1 - 6 Ω , catalogue number 9 5151 004 03



FREQUENCY RESPONSE CURVE

Measured in anechoic room at 1W/1m. Loudspeaker mounted in sealed 70 dm³ enclosure.