

WOOFER GDN 30/80/2

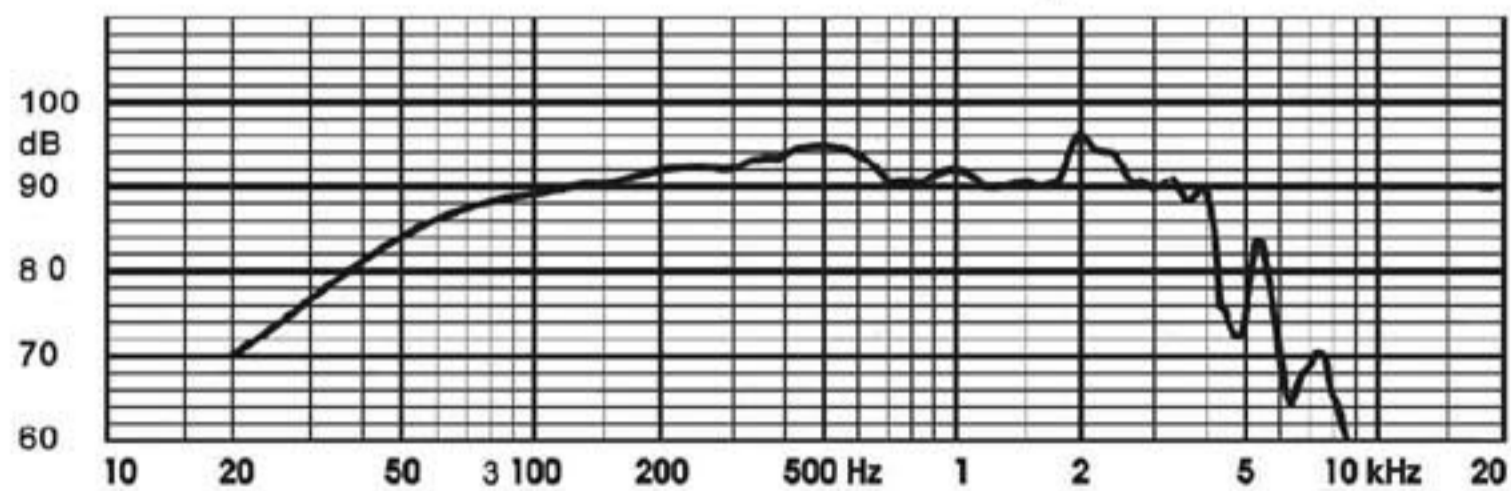
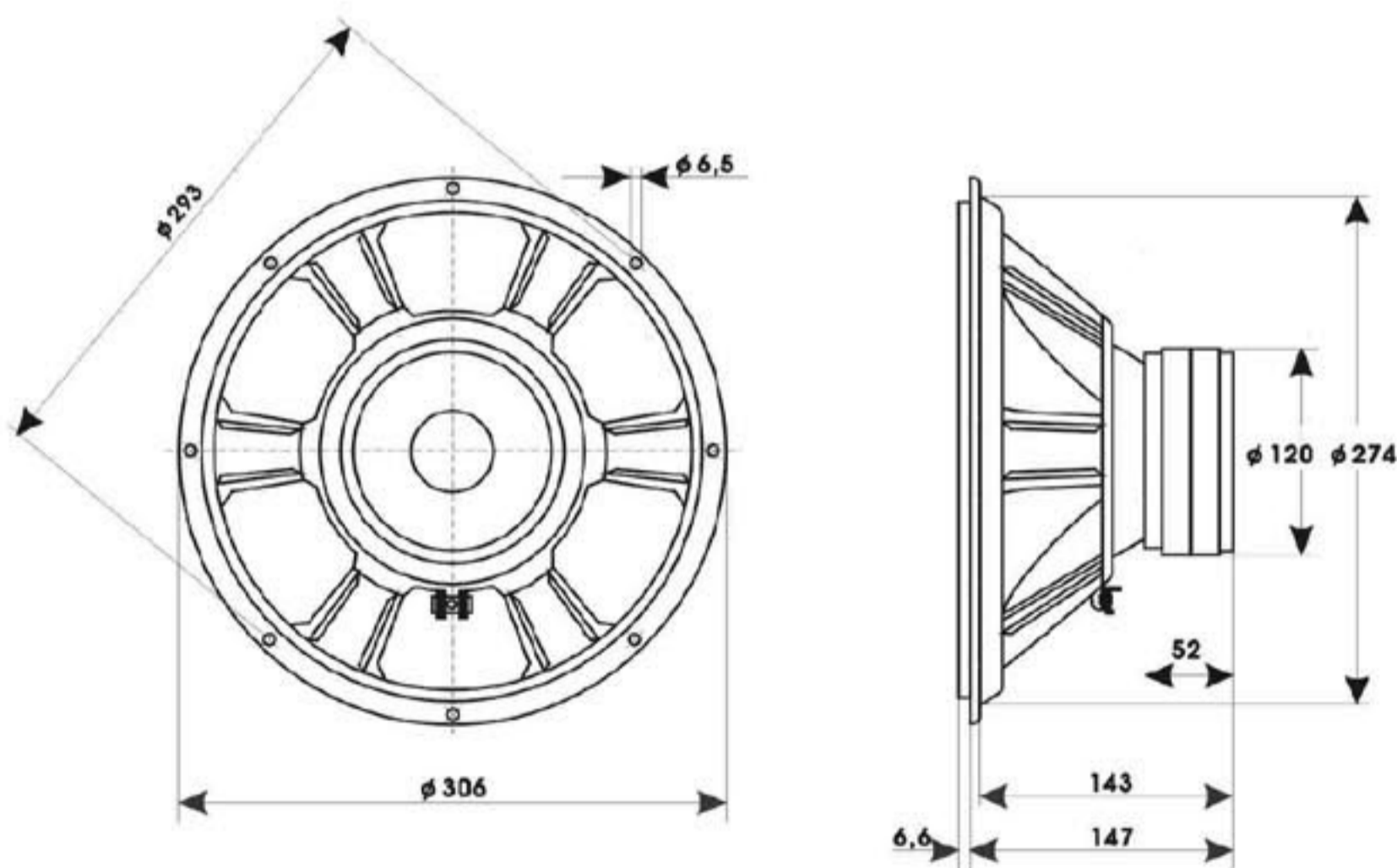
9 5151 016

TECHNICAL DATA

| | | |
|---|-------------------------|----------------|
| Rated impedance | 8 | Ω |
| Voice coil resistance | 6,2 | Ω |
| Rated frequency range | 40 to 3000 | Hz |
| Resonance frequency | 25 | Hz |
| Power handling capacity | 80 | W |
| / enclosure 70 dm ³ , 1 min. on/2min.off, 100 h continuous / | 140 | W |
| Max. power | 92 | dB |
| Sensitivity | 0,7 | T |
| Flux density | 388 | mJ |
| Energy in air gap | 13 | Tm |
| Force factor - Bl | 0,05 | m ² |
| Piston area - S _D | 0,05 | kg |
| Total moving mass - M _{MS} | 81,9 x 10 ⁻⁵ | m/N |
| Compliance /loudspeaker unmounted/ - C _{MS} | 0,27 | m ³ |
| Equivalent box volume - V _{AS} | | |
| Quality factor /loudspeaker unmounted/ | | |
| - mechanical - Q _{MS} | 2,47 | |
| - electrical - Q _{ES} | 0,3 | |
| - total - Q _{TS} | 0,26 | |
| Air - gap | 48/6/2 | mm |
| Voice coil height | 12,5 | mm |
| Magnet | | |
| - material | ferrite | |
| - dimensions | 2 x 120/60/18 | mm |
| - mass | 1,52 | kg |
| Mass of loudspeaker | 3,9 | kg |

AVAILABLE VERSIONS

- GDN 30/80/2 - 8 Ω , catalogue number 9 5151 016 01
- GDN 30/80/4 - 8 Ω , catalogue number 9 5151 034 01



FREQUENCY RESPONSE CURVE

Measured in anechoic room at 1W/1m. Loudspeaker mounted in sealed 70 dm³ enclosure.

TONSIL

ul. Czerniejewska 11, 62-300 Września

phone/fax: (061) 436 05 70, www.tonsilproducent.pl

1