

WOOFER GDN 13/40/2

9 5151 154

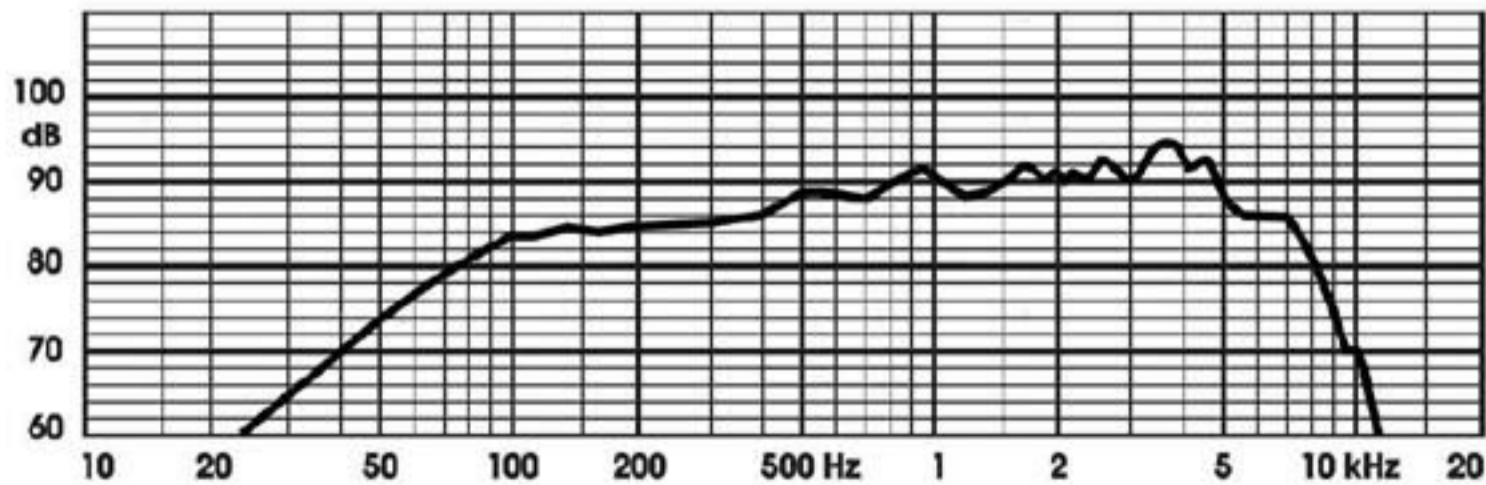
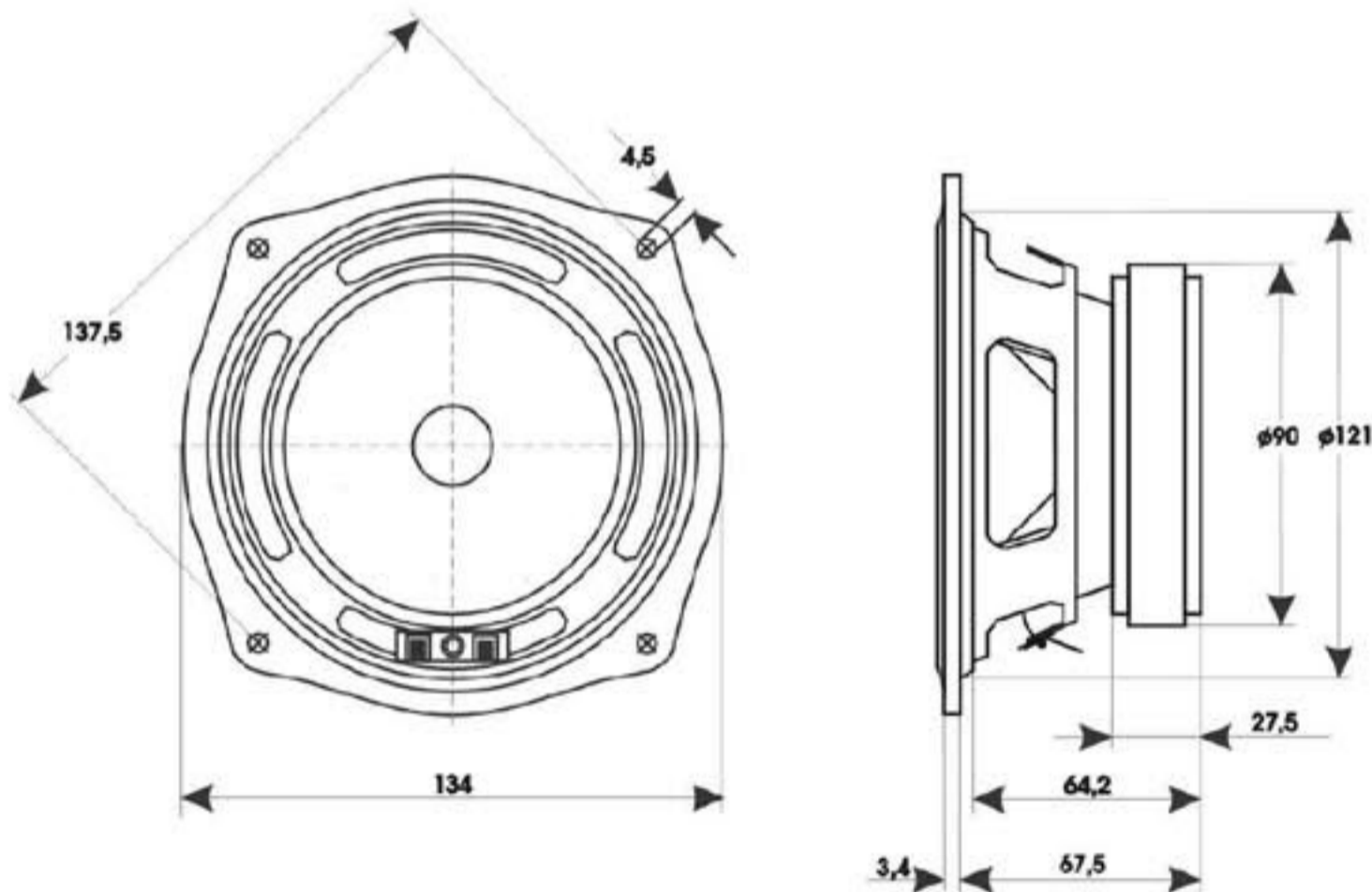
TECHNICAL DATA

Rated impedance	4	7	Ω
Voice coil resistance	3,45	5,7	Ω
Rated frequency range	90 to 5000		Hz
Resonance frequency	53		Hz
Power handling capacity / enclosure 5 dm ³ , 100 h continuous /	40		W
Max. power	80		W
Sensitivity	85	88	dB
Flux density	0,87	0,89	T
Energy in air gap	190	211	mJ
Force factor - Bl	4,91	6,54	Tm
Piston area - S _D	85 x 10 ⁻⁴		m ²
Total moving mass - M _{MS}	8,4 x 10 ⁻³		kg
Compliance /loudspeaker unmounted/ - C _{MS}	1,1 x 10 ⁻³		m/N
Equivalent box volume - V _{AS}	11 x 10 ⁻³		m ³
Quality factor /loudspeaker unmounted/			
- mechanical - Q _{MS}	1,48	4,62	
- electrical - Q _{ES}	0,43	0,435	
- total - Q _{TS}	0,33	0,40	
Air - gap	25/6/1,175	25/6/1,125	mm
Voice coil height	11,5	11	mm
Magnet			
- material	ferrite		
- dimensions	90/45/15,5		mm
- mass	0,35		kg
Mass of loudspeaker	1,1		kg

The loudspeaker has polypropylene cone, rubber surround and plastic dust cap.
Connection is by 4,8 mm x 0,5 mm tag connectors or by soldering

AVAILABLE VERSIONS

- GDN 13/40/2 - 4 Ω , catalogue number 9 5151 154 26 - black cone
- GDN 13/40/2 - 7 Ω , catalogue number 9 5151 154 27 - black cone



FREQUENCY RESPONSE CURVE
Measured in anechoic room at 1W/1m. Loudspeaker mounted
in sealed 5 dm³ enclosure.

1