

# WOOFER GDN 20/80

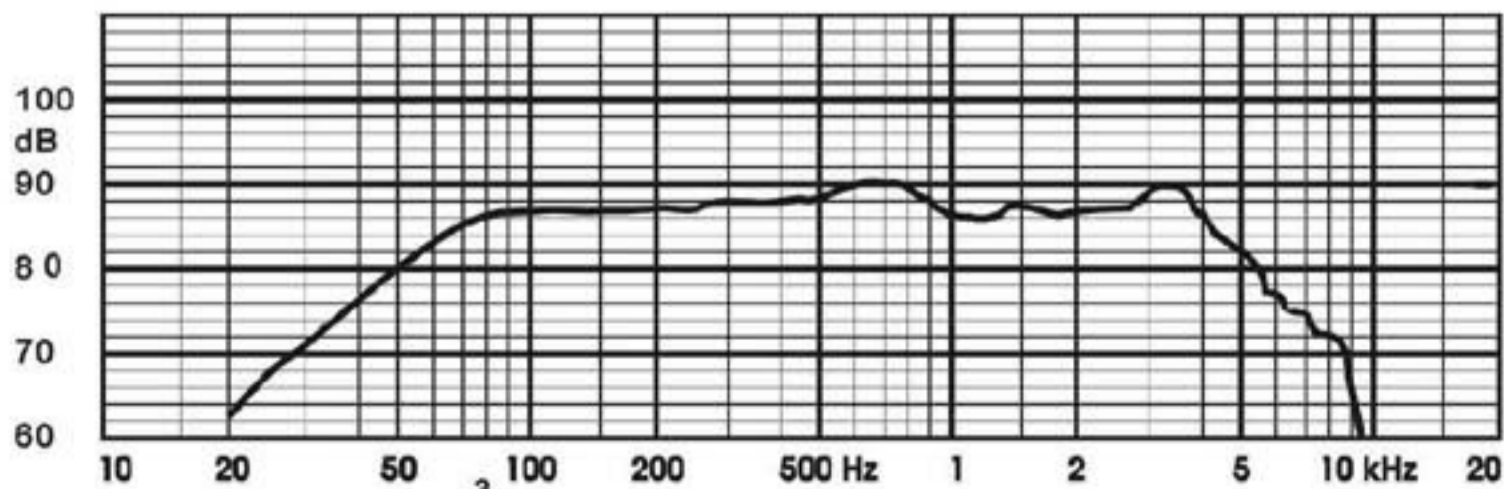
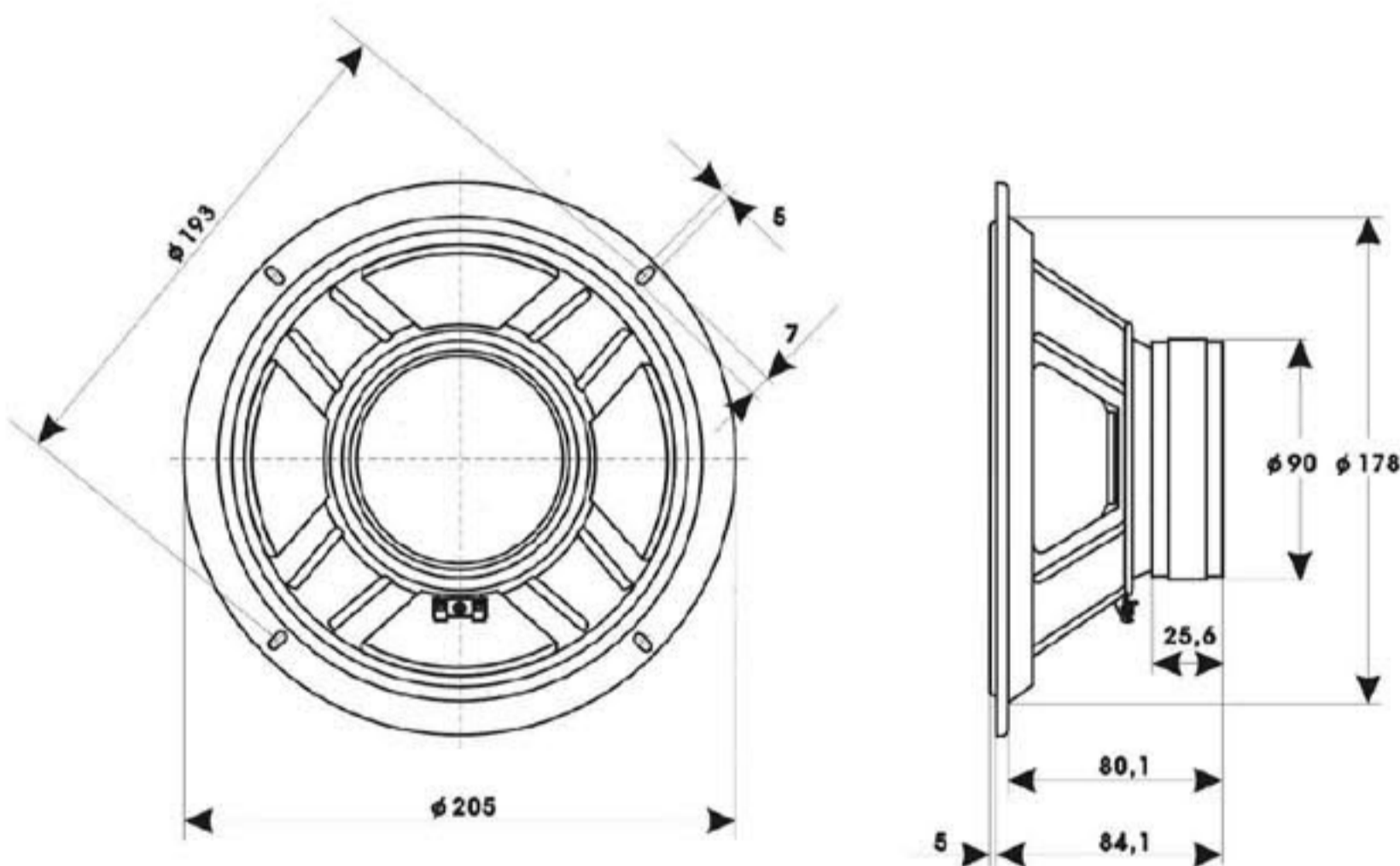
9 5151 162

## TECHNICAL DATA

Rated impedance	8	Ω
Voice coil resistance	6,5	Ω
Rated frequency range	44 to 4500	Hz
Resonance frequency	44	Hz
Power handling capacity / enclosure 24 dm <sup>3</sup> , 100 h continuous /	80	W
Max. power	125	W
Sensitivity	87	dB
Flux density	0,93	T
Energy in air gap	300	mJ
Force factor - BI	9,2	Tm
Piston area - SD	0,022	m <sup>2</sup>
Total moving mass - MMS	0,024	kg
Compliance /loudspeaker unmounted/ - CMS	0,6 x 10 <sup>-3</sup>	m/N
Equivalent box volume - VAS	0,039	m <sup>3</sup>
Quality factor /loudspeaker unmounted/		
- mechanical - Q <sub>MS</sub>	3,3	
- electrical - Q <sub>ES</sub>	0,52	
- total - Q <sub>TS</sub>	0,44	
Air - gap	35/4,6/1,62	mm
Voice coil height	8,8	mm
Magnet		
- material	ferrite	
- dimensions	90/45/15,5	mm
- mass	0,35	kg
Mass of loudspeaker	1,2	kg

## AVAILABLE VERSIONS

- GDN 20/80 - 8Ω, catalogue number 9 5151 162 01 - black cone



**FREQUENCY RESPONSE CURVE**

Measured in anechoic room at 1W/1m. Loudspeaker mounted in sealed 24 dm<sup>3</sup> enclosure.

# TONSIL

ul. Czerniejewska 11, 62-300 Września  
phone/fax: (061) 436 05 70, [www.tonsilproducent.pl](http://www.tonsilproducent.pl)

1