

DOME TWEETER LOUDSPEAKER GDWK 9/80/1

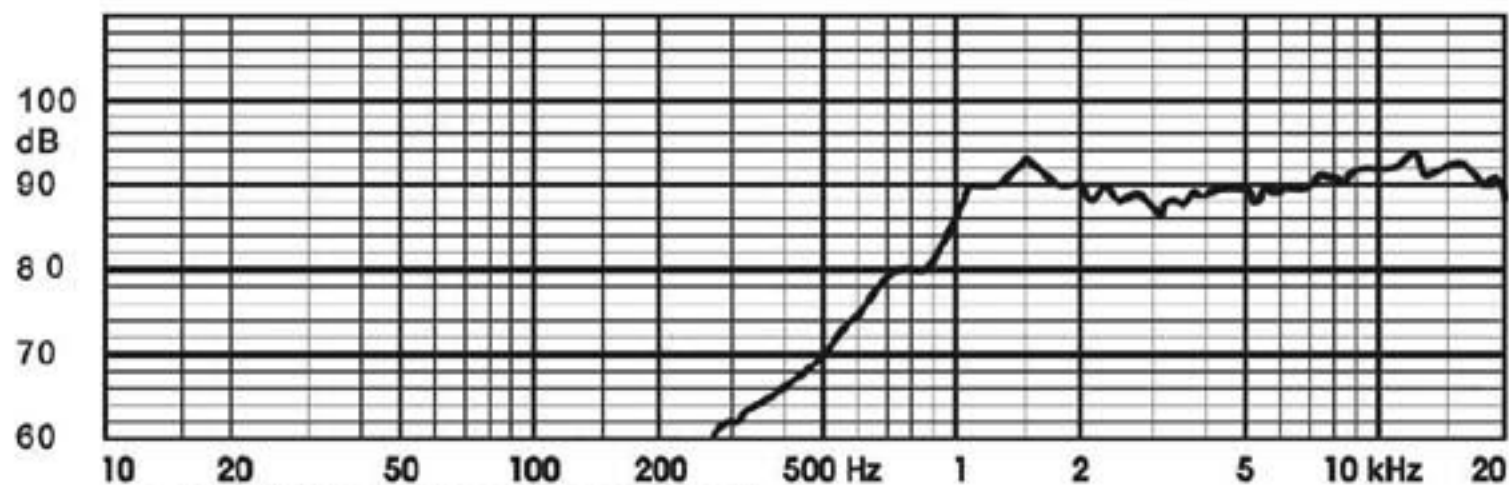
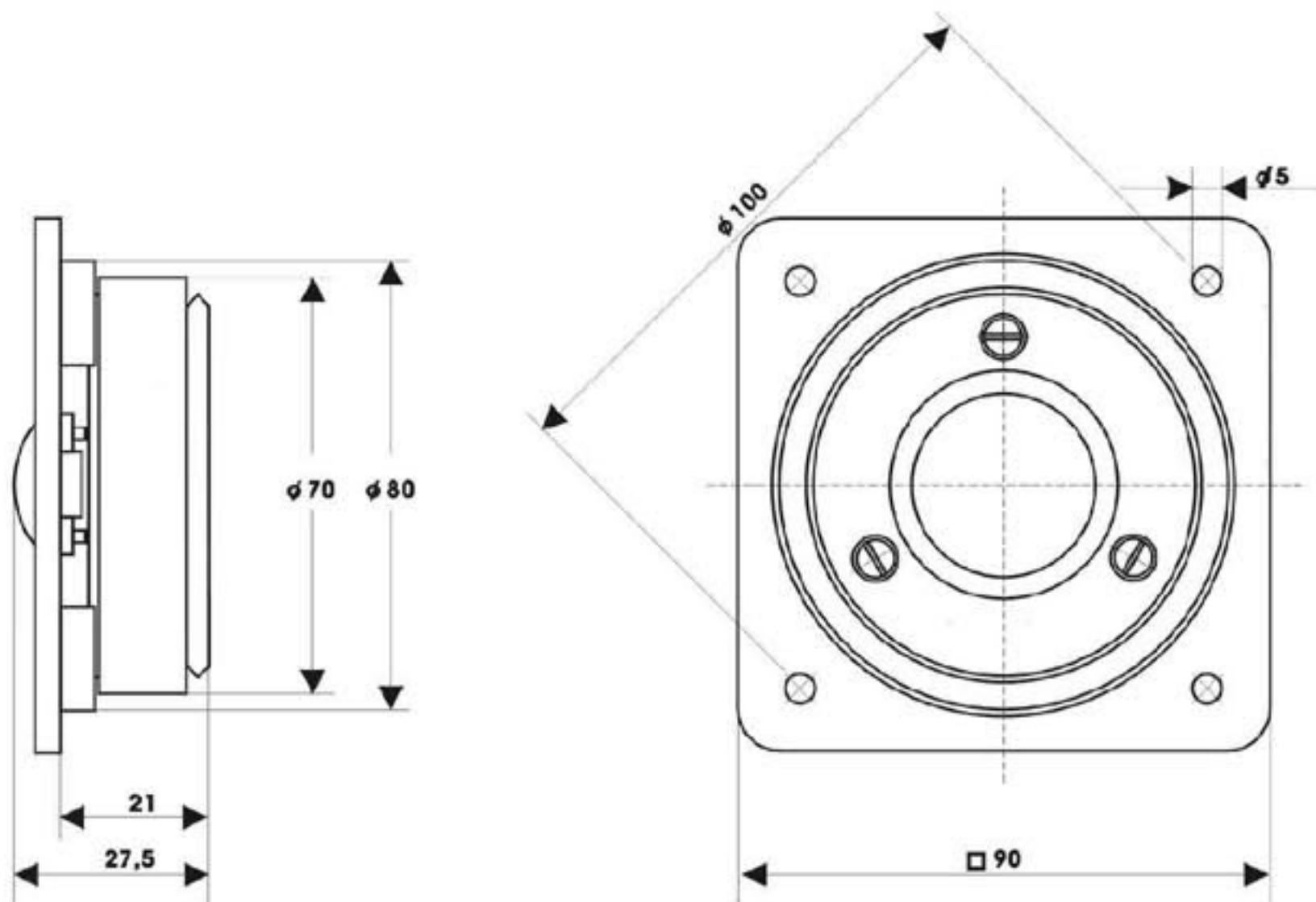
9 5155 006

TECHNICAL DATA

Rated impedance	4	8	Ω
Voice coil resistance	2,9	6,3	Ω
Rated frequency range	4 to 20		kHz
Resonance frequency	1,1		kHz
Recommended crossover frequency	4,8		kHz
Power handling capacity, P1/P2 measured with filter	80/2,5		W
Max. power	160/5		W
Sensitivity	90		dB
Flux density	1,1	1,16	T
Energy in air gap	94,1	95,6	mJ
Air - gap	25/3/0,815	25/3/0,745	mm
Voice coil height	2,9	1,9	mm
Magnet			
- material	ferrite		
- dimensions	70/32/10		mm
- mass	0,15		kg
Mass of loudspeaker	0,6		kg

AVAILABLE VERSIONS

- GDWK 9/80/1 - 4 Ω , catalogue number 9 5155 006 09
- GDWK 9/80/1 - 8 Ω , catalogue number 9 5155 006 01



FREQUENCY RESPONSE CURVE

Measured in anechoic room at 1W/1m. Loudspeaker mounted on IEC baffle.