

# HORN TWEETER LOUDSPEAKER GDWT 10/80

9 5155 042

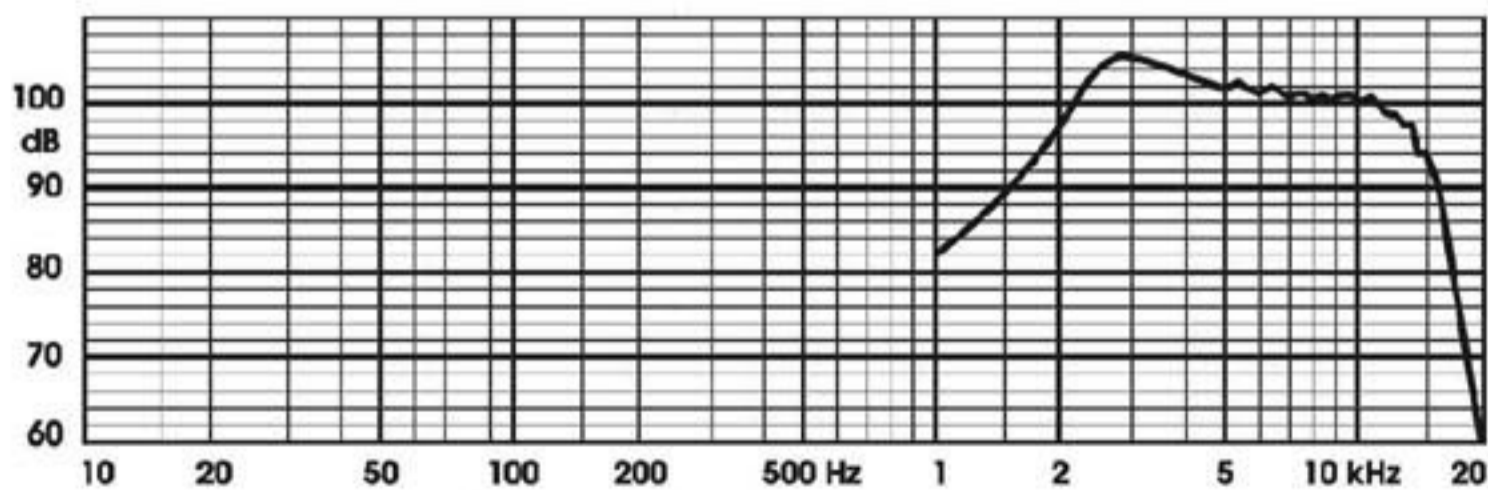
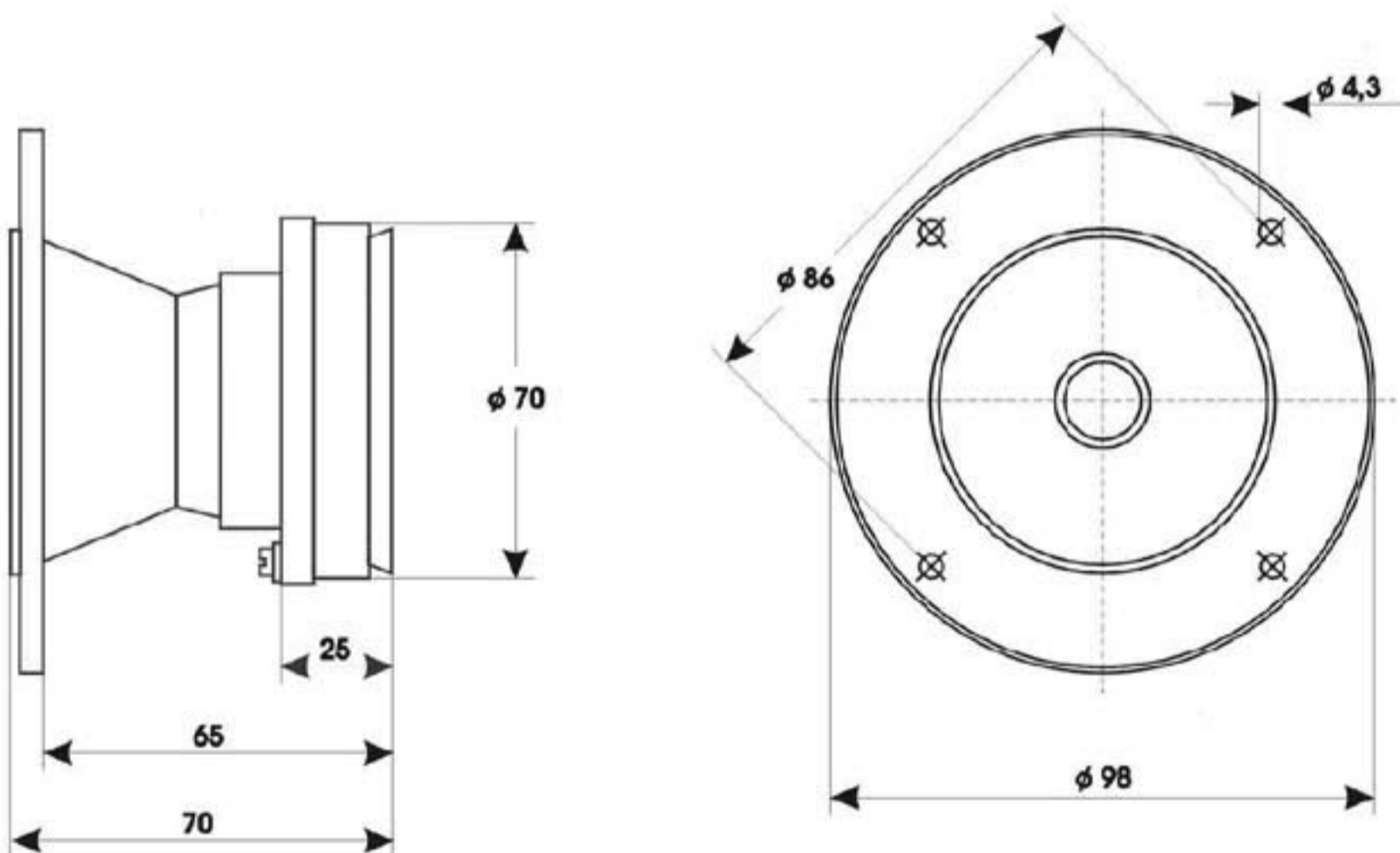
## TECHNICAL DATA

Rated impedance	4	8	$\Omega$
Voice coil resistance	2,9	6,3	$\Omega$
Rated frequency range	4 to 14		kHz
Resonance frequency	-		kHz
Recommended crossover frequency	4,5		kHz
Power handling capacity, P1/P2 measured with filter	80/2,5 130/4		W
Max. power	101	100	W
Sensitivity	1,16		dB
Flux density	104,5		T
Energy in air gap	25/3/0,815		mJ
Air - gap	3	1,9	mm
Voice coil height			mm
Magnet			
- material	ferrite		
- dimensions	70/32/10		mm
- mass	0,15		kg
Mass of loudspeaker	0,5		kg

The loudspeaker has flexible wire leads.

## AVAILABLE VERSIONS

- GDWT 10/80 - 4  $\Omega$  , catalogue number 9 5155 042 01
- GDWT 10/80 - 8  $\Omega$  , catalogue number 9 5155 042 02



**FREQUENCY RESPONSE CURVE**  
Measured in anechoic room at 1W/1m, free field.

# TONSIL

ul. Czerniejewska 11, 62-300 Września  
phone/fax: (061) 436 05 70, [www.tonsilproducent.pl](http://www.tonsilproducent.pl)

1