

WOOFER GDN 16/30

9 5151 043

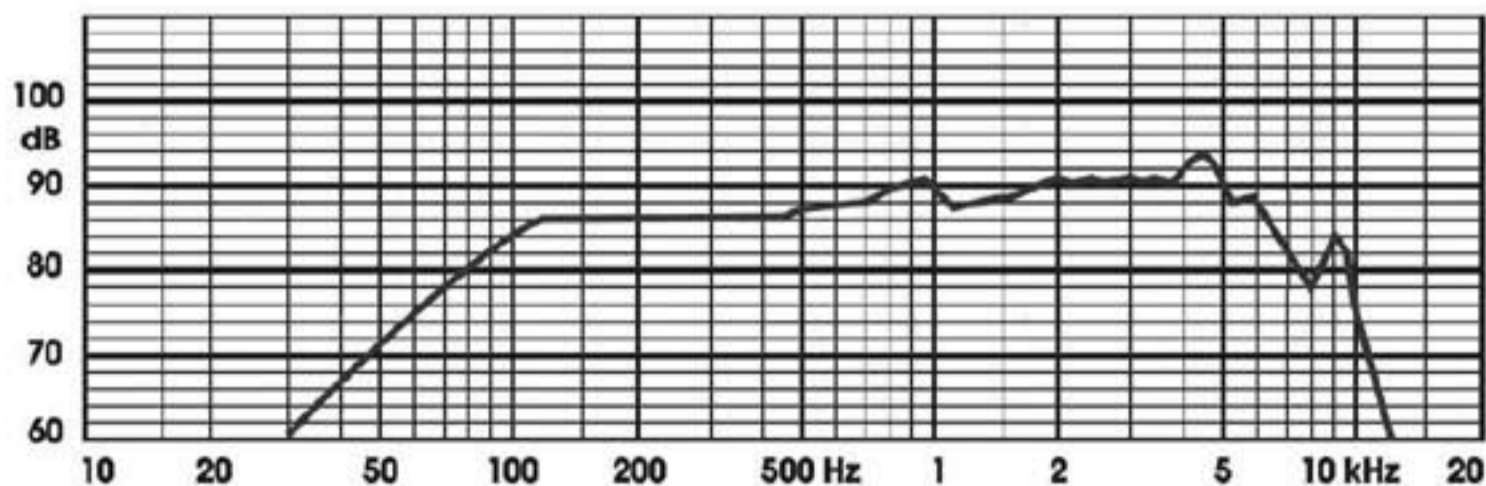
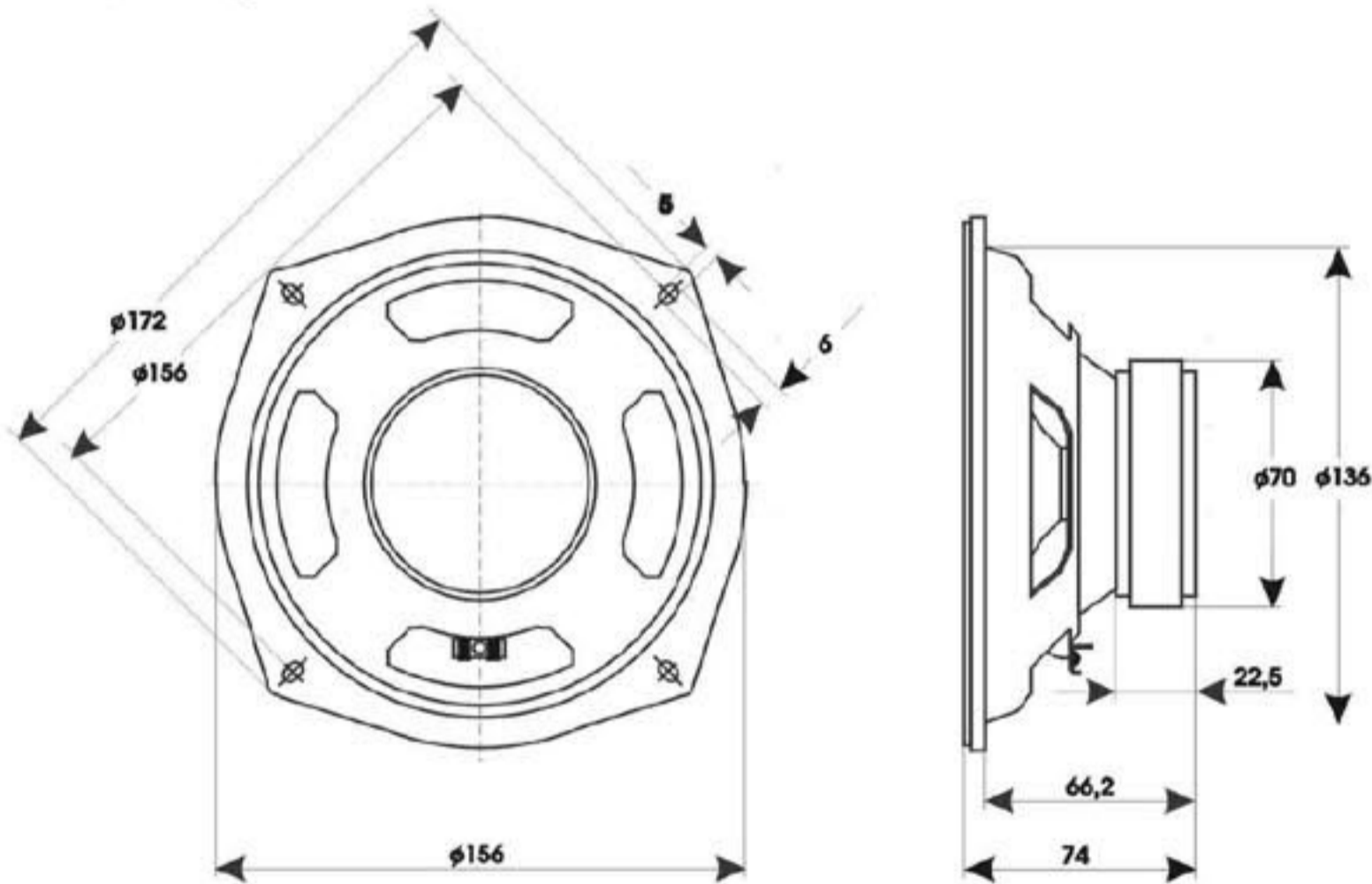
TECHNICAL DATA

Rated impedance	4	8	Ω
Voice coil resistance	3,8	7,7	Ω
Rated frequency range	1090 to 5000		Hz
Resonance frequency	54		Hz
Power handling capacity	30		W
/ enclosure 9 dm ³ , 100 h continuous /	60		W
Max. power	87		dB
Sensitivity	0,72	0,67	T
Flux density	90	102,4	mJ
Energy in air gap	4,01	6,4	Tm
Force factor - Bl	12,2 x 10 ⁻⁴		m ²
Piston area - S _D	9,2 x 10 ⁻³		kg
Total moving mass - M _{MS}	94 x 10 ⁻⁵		m/N
Compliance /loudspeaker unmounted/ - C _{MS}	0,019		m ³
Equivalent box volume - V _{AS}			
Quality factor /loudspeaker unmounted/			
- mechanical - Q _{MS}	4,26	4,9	
- electrical - Q _{ES}	0,79	0,6	
- total - Q _{TS}	0,67	0,54	
Air - gap	25/3,5/1,5	25/4,6/1,5	mm
Voice coil height	5,1	7,4	mm
Magnet			
- material	ferrite		
- dimensions	70/32/15		mm
- mass	0,23		kg
Mass of loudspeaker	0,62		kg

Connection is by 2,8 mm x 0,5 mm tag connectors or by soldering.

AVAILABLE VERSIONS

- GDN 16/30 - 4 Ω , catalogue number 9 5151 043 01
- GDN 16/30 - 8 Ω , catalogue number 9 5151 043 04



FREQUENCY RESPONSE CURVE
Measured in anechoic room at 1W/1m. Loudspeaker mounted in sealed 9 dm³ enclosure.

TONSIL

ul. Czerniejewska 11, 62-300 Września
phone/fax: (061) 436 05 70, www.tonsilproducent.pl

1