

WOOFER GDN 20/60/3

9 5151 061

TECHNICAL DATA

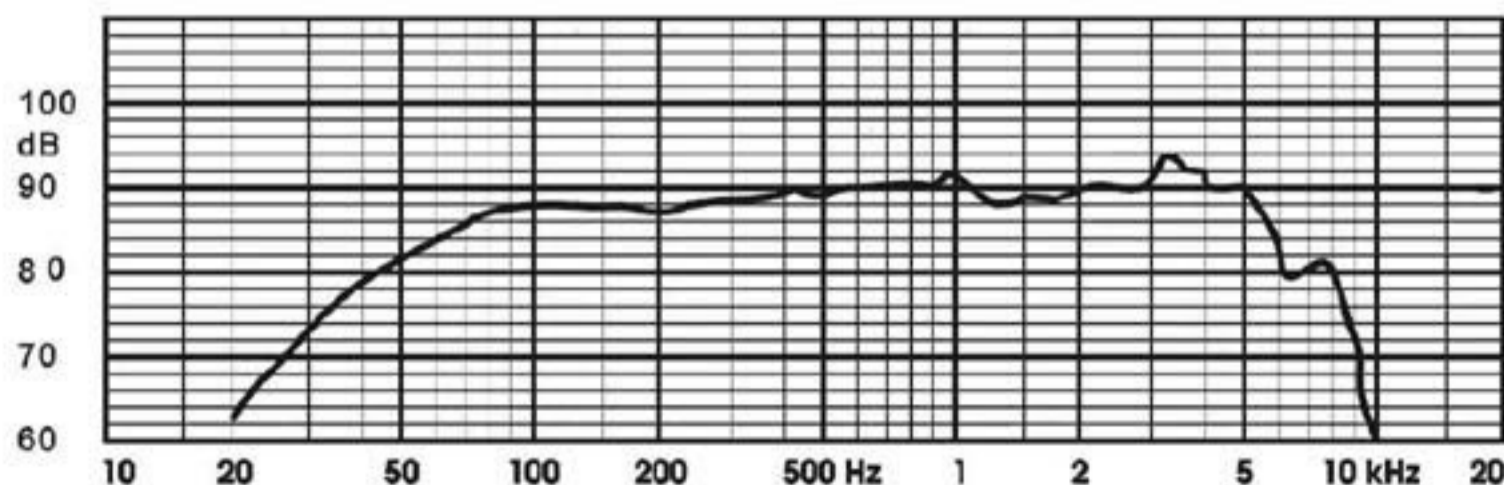
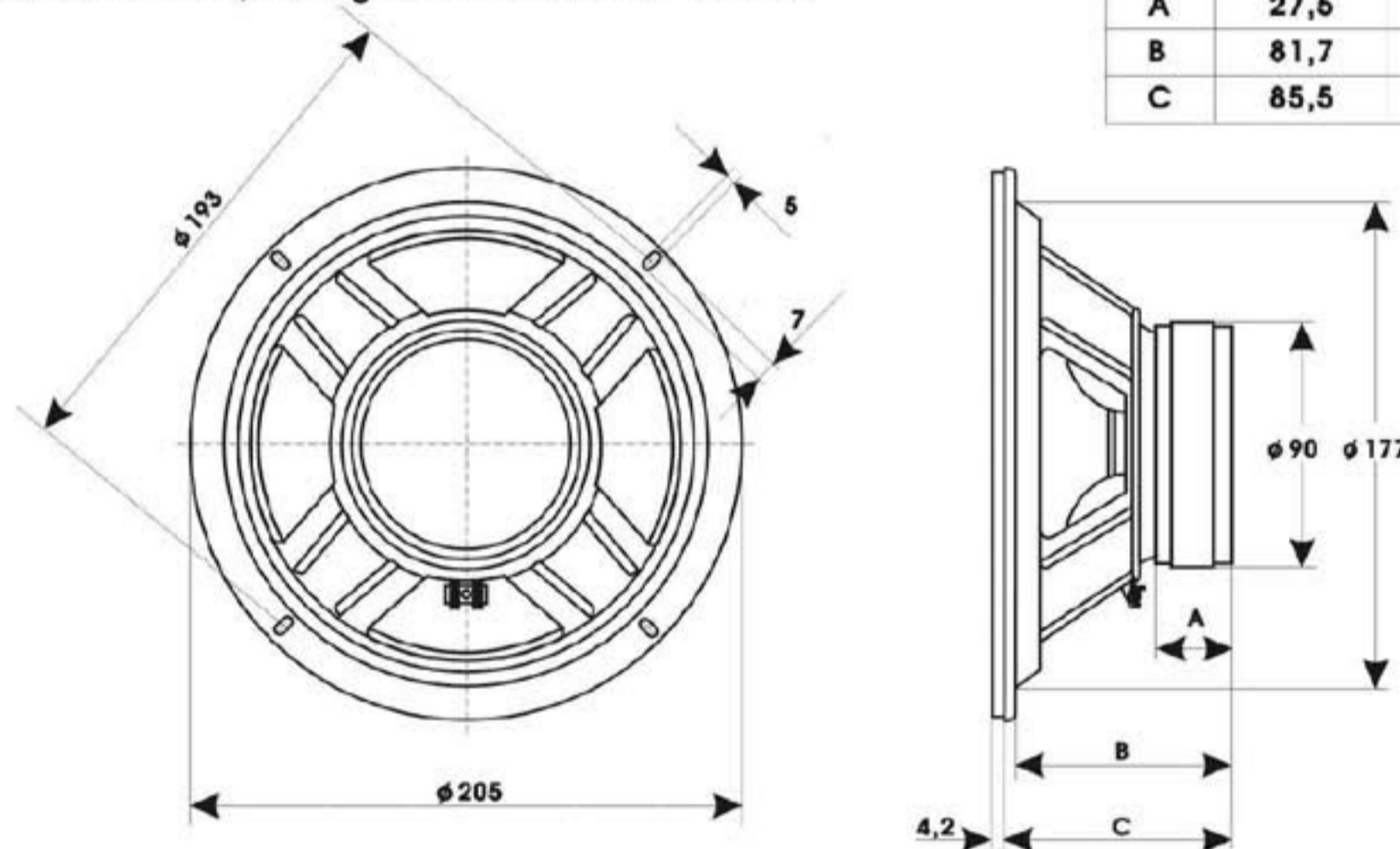
Rated impedance	12	15	Ω
Voice coil resistance	10,8	13,5	Ω
Rated frequency range	45 to 4000		Hz
Resonance frequency	36		Hz
Power handling capacity / enclosure 24 dm ³ , 100 h continuous /	60		W
Max. power	120		W
Sensitivity	0,8	0,72	dB
Flux density	224,1	227,4	T
Energy in air gap	7,8	8,55	mJ
Force factor - Bl	0,021		Tm
Piston area - S _D	103	109	m ²
Total moving mass - M _{MS}	0,066	0,06	kg
Compliance /loudspeaker unmounted/ - C _{MS}	0,018		m/N
Equivalent box volume - V _{AS}	0,06		m ³
Quality factor /loudspeaker unmounted/	2,6		
- mechanical - Q _{MS}	0,78		
- electrical - Q _{ES}	0,6		
- total - Q _{TS}	0,59		
Air - gap	35/6/1,3	35/8/1,2	mm
Voice coil height	10,8	13,8	mm
Magnet	ferrite		mm
- material	90/45/15,5		kg
- dimensions	1,3	1,4	kg
- mass			
Mass of loudspeaker			

Connection is by 2,8 mm x 0,5 mm tag connectors or by soldering

AVAILABLE VERSIONS

- GDN 20/60/3 - 12 Ω , catalogue number 9 5151 061 16
- GDN 20/60/3 - 15 Ω , catalogue number 9 5151 061 06

Dim.	v. 12 W	v. 15 W
A	27,5	29,5
B	81,7	83,7
C	85,5	87,5



FREQUENCY RESPONSE CURVE

Measured in anechoic room at 1W/1m. Loudspeaker mounted in sealed 24 dm³ enclosure.